

# HW40K

## Mobile Self-Contained Hand Washing Station

Self-contained, 114 liter (30 US Gallon) capacity hand washing station provides a reliable way for personnel to ensure they are able to manage an effective hygiene regime, whatever the location. Featuring a soap and paper towel dispenser, the hand washing station delivers a controlled flow of water to perform approximately 150 hand washes\* from a full unit.

- Stainless-steel frame and large pneumatic tires aid portability
- Hands-free foot activation for ease of use
- Simple to fill with a standard garden hose
- Can act as a supplement to permanent installations
- Suitable for indoor or outdoor use
- Optional sump (and ramp) available to contain used water



## Specifications

### MATERIALS OF CONSTRUCTION

PIPEWORK & FITTINGS	Stainless-steel
OPERATING VALVE	Brass self-closing valve
NOZZLE	Single aerated PVC nozzle
STANDARD FINISH	Powder coated grey with white and blue stripes

### SERVICES

CAPACITY	114 liters (30 US Gallons)
DESIGN OPERATING PRESSURE	2 to 6 Bar (29 to 87 PSI)
WATER INLET	1/2 inch quick connect stainless-steel coupling
DRAIN	1 1/2 inch PVC drain to floor
FLOW RATE	2 liters per minute at 1.2 Bar
HAND WASHING CYCLES	~150 washes per full tank*

### ENVIRONMENTAL OPERATING TEMPERATURES

MINIMUM OPERATING TEMPERATURE	5C (41F)
MAXIMUM OPERATING TEMPERATURE	35C (95F)

### OPERATION

HANDWASH ACTIVATION	Push foot treadle operation with automatic shut off
---------------------	---

### DIMENSIONS & WEIGHT

DIMENSIONS (WxDxH)	839mm (33in) x 1254mm (44.4in) x 1752mm (69in)
WEIGHT	79.8kg (176lb)

\*Based on the user washing for 20 seconds, with water flow in operation to wet and rinse hands only

# HUGHES

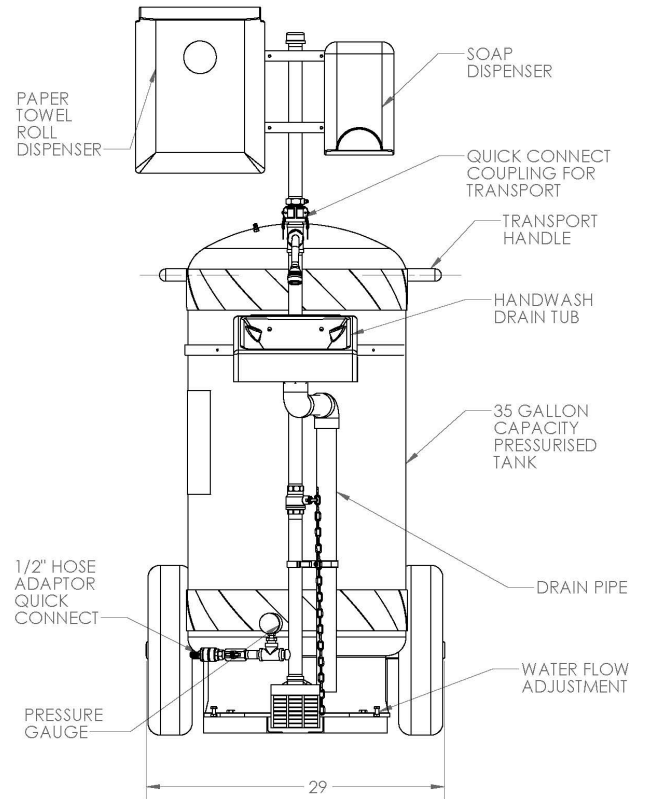
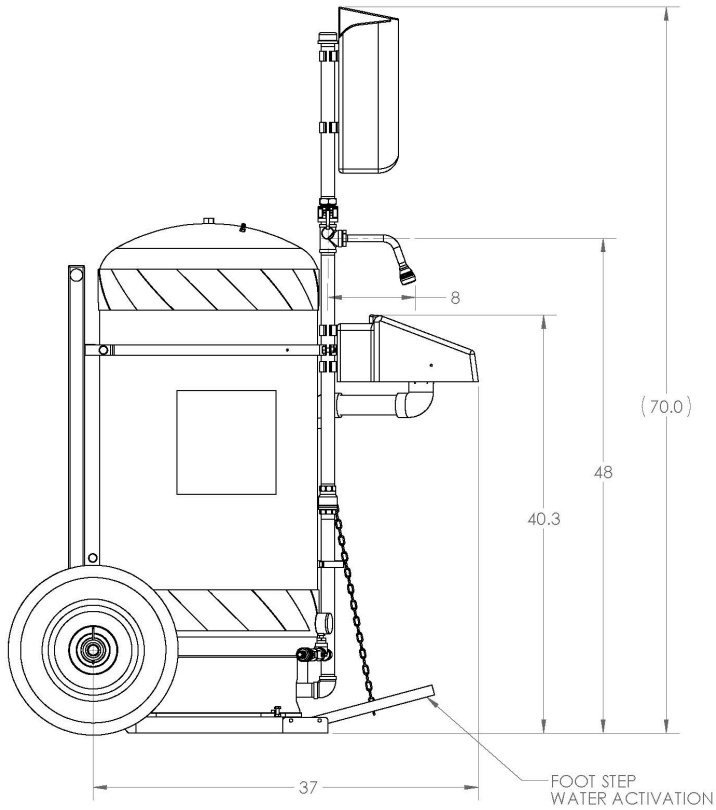


Justrite Safety Group

Rev2 062920

[hughes-safety-showers.com](http://hughes-safety-showers.com)

Mobile Self-Contained Hand Washing Station



For Technical Support Contact:  
customer.service@hughes-safety.com • 1-866-312-1652

For Reorder & Sales Support Contact:  
custserv@justrite.com • 1-800-798-9250

**HUGHES**

HUGHES-SAFETY-SHOWERS.COM  
Justrite Safety Group

Hughes North America  
457 Campbell Street  
Sarnia, Ontario N7T 2J1, Canada.

Registered No. 0939240. VAT Registration No. 918 5005 32 ©2020 Hughes Safety Showers