

H5G45G-1H, H5GS45G-1H, H5G45G-2H, H5GS45G-2H

Outdoor Emergency Safety Shower

Type: Freeze Protected, Combination

Floor mounted emergency safety shower with closed ABS eye/face wash unit. These showers are intended for use where there is a possibility of the water inside the shower freezing due to extreme cold climates. Suitable for use in Class 1 Division 2 hazardous areas, as well as non-hazardous areas. Available with either galvanized mild steel or stainless steel pipework. Includes universal eye wash and shower sign for enhanced visibility. ANSI compliant.

shown with
optional treadle



Specifications

MATERIALS OF CONSTRUCTION	
PIPEWORK AND FITTINGS (G)	Galvanized mild steel tubulars and fittings
PIPEWORK AND FITTINGS (GS)	Stainless steel tubulars and fittings
OPERATING VALVES	Shower: 316L stainless steel, two piece stay open valve Eye/Face: Chrome plated brass
SHOWER SPRAY OUTLET	Machine molded nylon 6
EYE/FACE WASH BOWL/LID	Acrylic capped ABS
EYE WASH DIFFUSERS	Chrome plated brass with stainless steel mesh
SHOWER SPRAY OUTLET	Polyurethane foam insulation with a medium density polyethylene impact resistant outer casing
STANDARD FINISH	White with green/white safety stripes
SERVICES	
WATER INLET	1-1/4 in Male NPT
DESIGN OPERATING PRESSURE	2.0 to 6 BAR G (29 to 87 PSI)
HEATING TYPE	Trace tape heated and pre-insulated
HEATING LOAD	57 watts
ELECTRICAL EQUIPMENT - Hazardous	Class I Division 2, Gas Groups C & D, Temp Class T3
ELECTRICAL SUPPLY (1H)	120V single phase, 50/60Hz
ELECTRIC SUPPLY (2H)	240V single phase, 50/60Hz
TEST PRESSURE	10.3 BAR G (149 PSI)
MINIMUM FLOW AT OPERATING PRESSURE	Shower: 76 liters/minute minimum (20 US Gallons). Eye/face wash: 11.4 liters/minute minimum (3 US Gallons)
ENVIRONMENTAL OPERATING TEMPERATURE	
MINIMUM AMBIENT OPERATING TEMPERATURE	-20° C (-4° F)
MAXIMUM AMBIENT OPERATING TEMPERATURE	35° C (95° F)
OPERATIONAL	
SHOWER SPRAY OPERATION	Pull handle
EYE/FACE WASH OPERATION	Pull lid forward
NOMINAL WEIGHTS and DIMENSIONS	
DIMENSIONS - STANDARD ORIENTATION (W x D x H)	375 mm (14.7 in) x 894 mm (35.2 in) x 2654 mm (104.5 in) Height includes sign
NOMINAL WEIGHT (NO OPTIONS)	25 kg (55 lb)

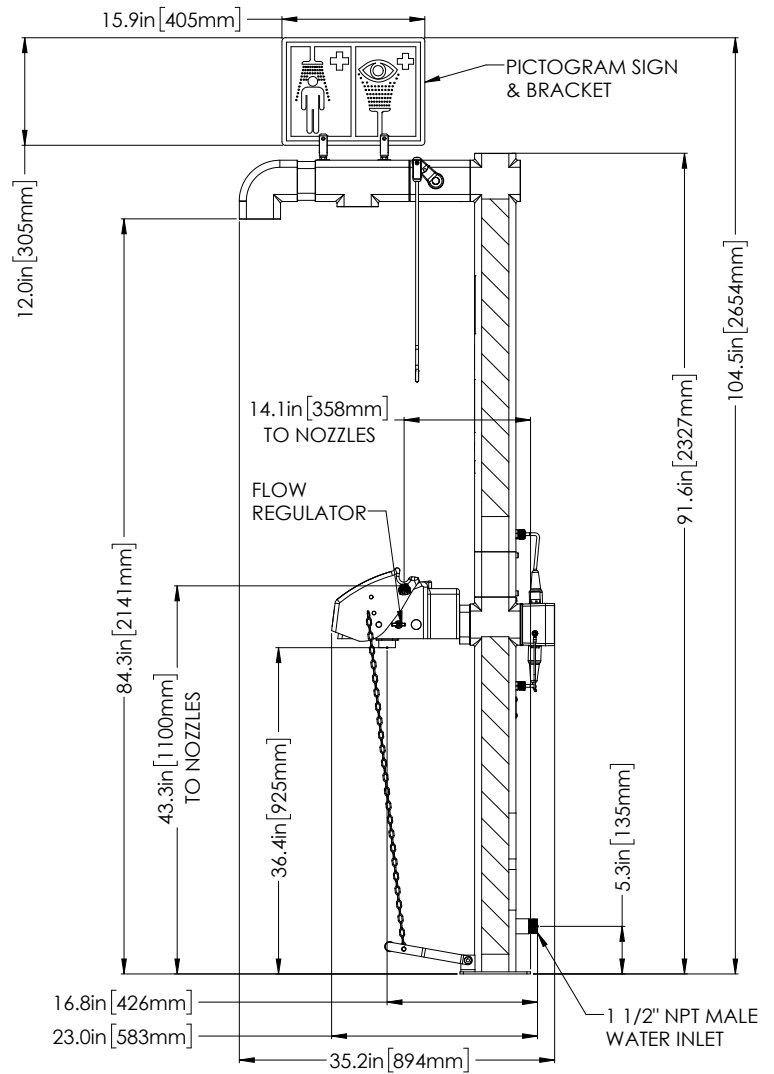
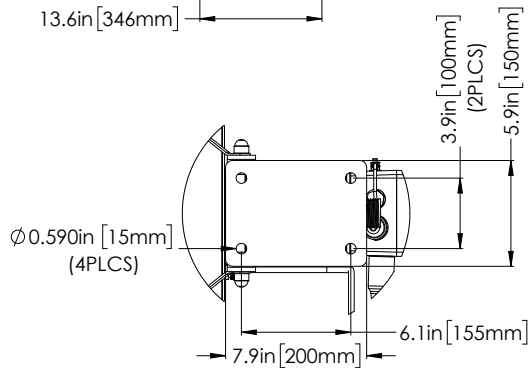
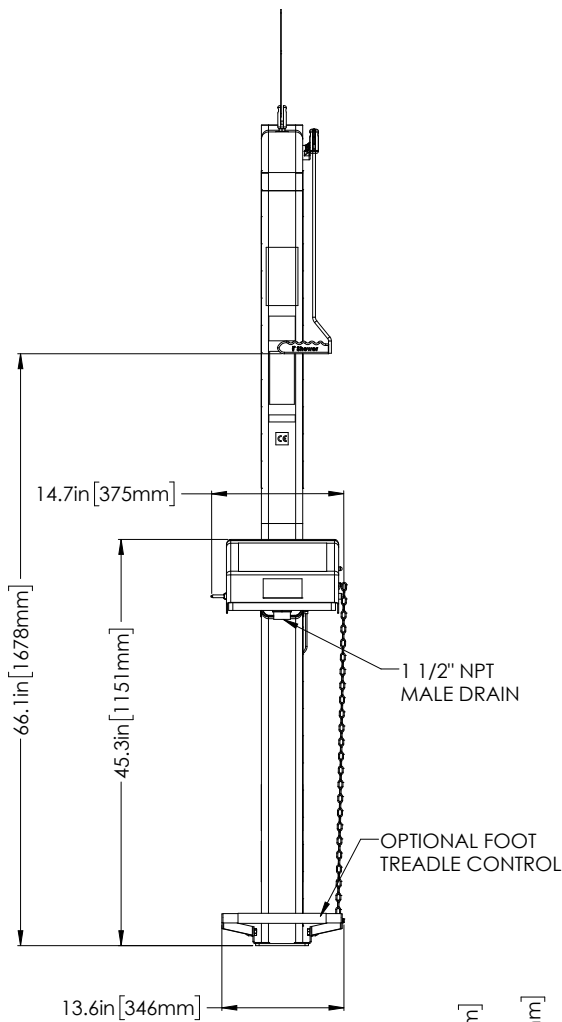


a Justrite® Group Company

RM07319 Rev-

hughes-safety.com

Outdoor Emergency Safety Shower Type: Freeze Protected, Combination



VARIATIONS IN MANUFACTURING AND ASSEMBLY
 ALLOW FOR $\pm 1/8$ in [3 mm] PER THREADED JOINT.

HUGHES

HUGHES-SAFETY.COM
 a Justrite® Group Company

Hughes North America Inc.
 457 Campbell Street, Sarnia, Ontario N7T 2J1, Canada.
 Email: info@hughes-safety.com
 Tel: +1 (866) 312 1652

Registered No. 0939240. VAT Registration No. 918 5005 32.
 Hughes Safety Showers Ltd is a Justrite Group Company.

©2017 Hughes Safety Showers